

## Mirror Makes Hitching Up A Snap

"Hitch Align" consists of a 12-in. dia. convex mirror with a mounting bracket that'll adapt to any pickup, car or truck. It provides a clear view of the tow ball and a 3 to 6-ft. radius out from it so you can see the trailer before contact and align the ball and hitch perfectly.

The mirror hangs over truck tailgates or attaches with two suction cups to rear windows, trunks, etc. It folds down to 12 by 2 1/2-in. for easy storage behind vehicle seats.

Sells for \$59.95 plus \$5 S&H. Includes two magnetic markers for use at night.

Contact: FARM SHOW Followup, Hitch Align, P.O. Box 1838, Sebastopol, Calif. 95473-1838 (ph 800 652-4522 or 707 824-4824).



"Hitch Align" is a 12-in. dia. convex mirror that provides a clear view of the tow ball and a 3 to 6-ft. radius out from it so you can see the trailer before contact.



Lightweight machine will float right over muddy ground and snow, says inventor.

## Versatile Rubber-Tracked Crawler Tractor

Dewey Hostetler, Harper, Kan., used a pair of old motor grader tires to make tracks for a 2-WD rubber-tracked crawler tractor. The 14-in. wide tracks mount over pairs of 18-in. wheels, with smaller wheels in the middle.

"It's comfortable to ride and is so lightweight that it will float right over muddy ground and snow," says Hostetler, who founded the DewEze Corporation - which makes bale handling equipment - 30 years ago. He worked with a friend, Ray Forpahl, to design and build the new machine. "The simplicity of the machine and the lightweight wheels are designed to eliminate the need for heavy rails and brackets to keep the track in place.

"I plan to make a 4-WD version of the crawler tractor that will be about twice as big as this one and to develop a sprayer, bale hauler, loader, and tillage tools for it."

Hostetler built the prototype machine for a maple syrup business owned by a family in northern New York. It's designed to handle three different jobs during maple syrup harvest - move snow, haul firewood, and collect sap. The driver sits behind a stainless steel tank that holds sap or behind a wooden box used for hauling firewood. A 5-ft. wide snowblower can be quick-tach mounted up front. Power is supplied by a 25 hp Kohler gas engine that belt-drives a hydraulic pump. A 12-volt pump is used to pump sap out of the tank. The wood box can also be used to distribute sap buckets to the trees and haul the equipment. All movements are controlled by two hydraulic levers.

Contact: FARM SHOW Followup, Dewey Hostetler, 149 E. U.S. Hwy. 160, Harper, Kan. 67058 (ph 316 896-7087 or 2040; fax 2741).



Balzer's new 12,000-gal. tank is 37 ft. long from tongue to back injectors.

## World's Biggest Liquid Manure Tank

What's believed to be the world's biggest liquid manure tank was unveiled recently at Farmfest near Redwood Falls, Minn.

Balzer Inc.'s Magnum top fill wagon features a 12,000-gal. tank built out of 1/4-in. thick steel. The wagon is 37 ft. long from tongue to back injectors. It's equipped with eight 30.5 by 32-in. flotation tires, which keep ground pressure to a low 9.4 psi.

Only two of the wagons have been built

but the Mountain Lake, Minn., company has orders for two more. One of them will incorporate Caterpillar tracks to reduce ground pressure even further.

Wheeled units sell for \$75,000 with an 8-disk injector system.

Contact: FARM SHOW Followup, Balzer Inc., Co. Rd. 27, Box 458, Mountain Lake, Minn. 56159 (ph 800 795-8551 or 507 427-3133; fax 3640).

## "Lowest Maintenance Waterer On Market"

Soon after Marshall Dutter put up a new 160-sow gestation barn a few years ago, he started having problems with the metal floats in the facility's waterers.

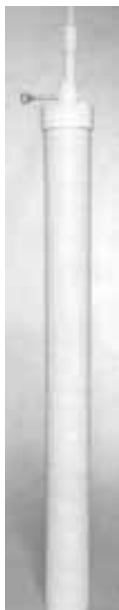
"They corroded too easily and weren't built heavy enough in the first place," says the Flora, Ind., farmer. He designed and built a user-friendly plastic watering system that outlasts conventional metal systems and requires little maintenance because it requires no electricity or special plumbing and has no external moving parts.

The Water Monitor consists of a plastic float mechanism housed inside a 4 1/2-ft. length of 4-in. dia. PVC pipe. It bolts onto a corner of a stall with two U-bolts and connects to any ordinary 3/4-in. dia. garden hose, which runs in at the top. Water level adjustments are made with a plastic bolt on top.

"You set the water level and forget it," Dutter says. "We've had units running for two and a half years and have spent virtually nothing on repairs or maintenance."

Sells for \$102 plus S&H.

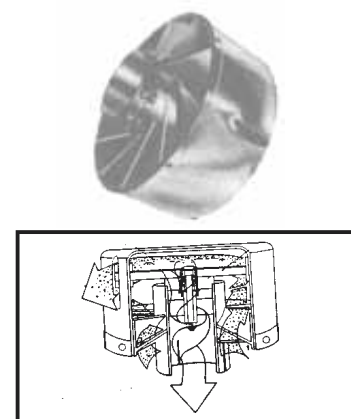
Contact: FARM SHOW Followup, M&R Dutter Farms Inc., 838 W. State Rd. 18, Flora, Ind. 46929 (ph 219 967-3118; fax 3139).



The Water Monitor consists of a plastic float mechanism housed inside a 4 1/2-ft. length of 4-in. dia. PVC pipe.



"Super Dome"



Engineaire

## No-Maintenance Add-On Engine Precleaners

Precleaners for air intakes on diesel engines continue to be big sellers, especially self-cleaning, no-maintenance units like these.

The Engineaire unit from A&L Systems uses centrifugal force to take heavy particulate out of the air before it enters the engine.

Made of aluminum and stainless steel, it's totally self-powered by the incoming air. No extra motors to deal with. Installs in minutes. Removes snow, rain, dust, insects and 99 percent of other foreign materials in the air. It ejects them out the side with an impeller mounted inside. It's made of cast aluminum and is designed to be bolted rather than riveted or clamped to the intake.

Available in sizes to fit 1 1/2-in. up to 9-in. dia. air intakes.

Sells for \$99 to \$365.

Contact: FARM SHOW Followup, A&L Systems, 35355 Schoolcraft Rd., Livonia, Mich. 48150 (ph 800 592-5253 or 313 513-7100).

Sy-Klone's new "Super Dome" fits virtually any engine with air intakes varying in size from 4 to 8 in. in dia. Made of a nylon reinforced plastic, it removes up to 98 percent of particulates in the air, the company says.

Sells for \$172, \$246, and \$334 for standard sizes.

Contact: FARM SHOW Followup, Sy-Klone, 6451-1 Powers Ave., Jacksonville, Fla. 32217 (ph 800 351-8265).