



Allan Owings, Kansas City, Mo., applies anhydrous with toolbar-mounted single disc openers at speeds up to 12 mph, thanks to the Exactrix system, which puts 100 percent of NH₃ into the ground as a liquid. Owings places it in bands 4 in. deep.

Anhydrous System “Most Accurate Ever Developed”

More accurate and more uniform application rates are promised with this new anhydrous ammonia application system that converts all the ammonia to a liquid form. What's more, a new cold weather kit allows the application of anhydrous in much colder weather than has ever been possible, greatly extending the season for both farmers and custom applicators.

“Exactrix Direct Injection” came on the market to a limited extent a year ago and is now ready to go into full production.

The company says its “Exactrix” system is the most accurate anhydrous ammonia distribution system ever developed. “It allows farmers to reduce ammonia rates by up to 10 percent because it results in no variations in the application rate between rows. Application rates with conventional ammonia applicators vary by up to 20 percent between rows,” says distributor Eugene Breker of Fargo Products, Fargo, N.Dak.

The system uses a pump (ground or hydraulic-driven) and manifold to increase the line pressure of anhydrous ammonia above the tank pressure, completely eliminating vapor and allowing you to direct inject all the ammonia as liquid. Specially designed orifices in the hoses maintain back pressure in the system and deliver exact row-to-row distribution.

“Conventional ammonia application systems are inherently inaccurate because a lot of the ammonia comes out in a gas form,” says Breker. “The best you can hope for is about 85 percent liquid, which means 15 percent is gas. The gas takes up more space and randomly displaces the liquid, so the accuracy of the application rate goes way

down and there's a lot of variation between rows. As a result, most farmers over apply to compensate for those outlets that are under applying.

“You don't have to over apply ammonia with our system because it keeps all the ammonia in liquid form and meters it very accurately with almost no variation between rows. That allows you to reduce the application rate and save money. The precise metering means this system also works great with GPS variable rate systems. When you change rates on-the-go there's an instantaneous response, unlike conventional ammonia systems which have 6 to 10 seconds of ‘hang time’.”

Breker says another advantage of applying all-liquid ammonia is that you don't have to worry about it freezing up as it enters the soil. As a result you can use no-till coulters to apply the product. The coulters disturb very little of the soil surface and also require less horsepower.

The Exactrix system is priced above conventional ammonia application systems, notes Breker, “but there's a value there that farmers get by being able to reduce application rates.”

The company's cold weather system, which will allow you to apply anhydrous in near freezing weather, will be introduced in December.

Contact: FARM SHOW Followup, Exactrix Global Systems LLC, East 3310 Trent Ave., Spokane, Wash. 99202 (ph 509 535-9925; fax 509 535-9989; Web site: www.exactrix.com; E-mail: exactrix@exactrix.com).



Steve Wilson farms 5,000 acres near Colfax, Wash. He mounted an Exactrix system on his Deere 455 no-till drill to apply anhydrous in 15-in. bands as he seeds winter wheat. He says the accuracy of the liquid system, plus the minimal soil disturbance from using disc openers, is what makes the practice possible. He averages 6 1/2 mph while seeding and applying NH₃ at the same time.



New Belt Meter units mount around drill's existing drive shaft. What makes them unique is the way they handle different size seeds. For example, if you set the drill to plant two beans per foot, they will hold that spacing regardless of seed size.

Add-On Drill Meter May Revolutionize Grain Drills

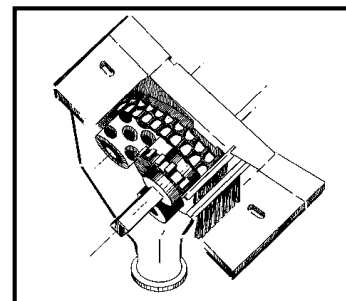
“It's the first new grain drill meter in nearly 100 years,” says S.I. Distributing about its new patent pending add-on “Belt Meter” for drills.

The company says the Belt Meter greatly improves seed flow. Unlike most fluted cup-type grain drill meters, changes in seed size do not affect the planting rate. With one easy setting, the S.I. Belt Meter eliminates the guesswork of planter settings and provides accurate seed population control right from your grain drill.

The new meter works by planting a known number of seeds for every revolution of the drill shaft. It makes drill monitors much more accurate because of the more consistent seed flow. Unlike conventional drills, seed population rate always stays the same regardless of the seed size.

The company notes that as farmers move toward higher priced seeds, installing the more accurate Belt Meter can save both time and money. “It will pay for itself in seed alone by eliminating under and/or over-seeding. A constant stream of seed flows from the meter at any operating speed resulting in consistent seed distribution. A more even flow results in a more even row stand. Gaps in the row followed by thick, over-populated areas will be eliminated,” company president Joe Whitney told FARM SHOW.

The S.I. Belt Meter is primarily designed to plant the following crops: Soybeans (1600-4000 seeds per pound) Wheat, Milo, Grain



Cutaway shows “belt” inside new metering unit.

Sorghum, Oats, Rice and any other small grain that falls into the general seed shape, size and planting rate of those listed.

The S.I. Belt Meter is easy to install and drives by using the existing drive shaft on the drill. It simply mounts around the shaft. A gear selection with a rate chart is provided with the meters to make the conversion.

At this time, the meter is available to fit Deere and Great Plains drills. It will be available later to fit other models. No price was available at press time.

Contact: FARM SHOW Followup, S.I. Distributing, 03221 Barber-Werner Road, St. Marys, OH 45885 (ph 800-368-7773; Web site: www.sidist.com)

Long-Lasting Sickle Sections Hardened All The Way Through

Unlike most conventional sickle sections, which are hardened only along the cutting edge, these new sections are heat-treated and totally hardened all the way through.

SI Distributing says the new SCH sections – which are imported from Germany – are available for Deere, New Holland, Case-IH, and Agco combine cutterbars.

“Because the sections are totally hardened, they cannot bend so guard life is extended. Bent sections wear the guards out, causing the greatest damage to cutterbars. These sections cut at peak performance 30 to 40 percent longer than conventional sickle sections,” says Joe Whitney.

They're available in regular (12 serrations per inch) or coarse (7 serrations



per inch), depending on what kind of ground you're working in and the condition of the crop. The coarse sections are stronger so they're better on rocky ground.

The new sickle sections sell for 80 cents apiece.

Contact: FARM SHOW Followup, S.I. Distributing, 03221 Barber-Werner Rd., St. Marys, Ohio 45885 (ph 800 368-7773; Web site: www.sidist.com).