

Shanks are equipped with a 4-in. wide lifter point at the bottom and simply bolt in place of moldboard plow legs to fracture compacted soil 10 to 14 in. deep.

**"INEXPENSIVE ALTERNATIVE TO PARAPLOW"**

## "Mini Lifter" Shanks For Moldboard Plows

"Our mini lifter shanks replace the legs on your moldboard plow to fracture compacted soil with very little surface soil disturbance. They're an inexpensive alternative to the Paraplow," says Ray Rawson, Farwell, Mich.

The shanks, 4-in. wide, 14-in. long, and 1/2-in. thick, are equipped with a 4-in. wide lifter point at the bottom. They simply bolt in place of moldboard plow legs to fracture compacted soil 10 to 14 in. deep.

"A 6-row Paraplow costs more than \$6,000 whereas the cost to convert a 6-bottom moldboard plow with our shanks is only about \$850. Other add-on shanks for moldboard plows are designed with twisted shovels that work like a chisel plow. They bolt onto the plow's legs and cut a wide slot through the soil. Our narrow shanks frac-

ture compacted soil with very little disturbance. They completely replace plow legs and leave a slot only 1/2-in. wide. By the following spring the soil is smooth enough that you can plant without doing any tillage work," says Rawson. When mounted on 18-in. centers the shanks fracture all of the soil surface. Shanks on 30-in. centers fracture more than 50% of the soil surface and leave strips of unfractured soil that provide an area for tractor tires to follow.

The add-on shanks require 15 hp per leg and fit most major brand plows except for Case-IH.

Sells for \$125 per shank.

For more information, contact: FARM SHOW Followup, Rawson Coulters, 7413 North Nottawa Road, Farwell, Mich. 48622 (ph 517 588-2230).

**SIMPLE DESIGN MIXES AIR AND WATER WITHOUT PRESSURIZING TANK**

## Foam Marker Doubles As Handy Spot Sprayer

"It's the only foam marker that doesn't require a pressurized tank," says Dick Lone, manufacturer of a new foam marker that doubles as a handy spot sprayer.

The foaming agent is simply mixed with water in the tank and then pumped to lines on the spray boom where air is mixed with liquid in the lines. "Foam generation is instantaneous and the quality is the same whether the tank is full or near empty. You don't have to wait for it to build up pressure. There's no need to bleed the system or to fight tank foam when refilling," says Lone.

Water and air pumps mount on top of the 14 gal. plastic tank. Uses about 4 gal. per hour at a cost of 80 cents per hour. Comes in a kit that'll equip up to an 80-ft. wide span. To use as a spot sprayer, disconnect the air line and plug it.

Sells for \$639. Can be used with straight foam or a fluorescent dye can be added.

Contact: FARM SHOW Followup, C & R Supply, Inc., 3610 North Cliff Ave., Sioux Falls, S. Dak. 57104 (ph 605 338-7210).



Dick Lone says the foaming agent in his new foam marker is simply mixed with water in the tank and then pumped to lines on the spray boom where air is mixed with liquid in the lines.



Long, slim moldboard bottoms turn soil part way over leaving 20% of residue on top.

**SANDWICHES RESIDUE BETWEEN FURROWS**

## "Soil Restoration" Plow

"Our new 'soil restoration' plow is equipped with long, slim moldboard bottoms that turn the soil part way over to sandwich crop residue between furrows instead of burying it on the bottom like conventional moldboard plows. The result is reduced soil erosion and improved soil structure," says Jake Rozendaal, manager, Salford Farm Machinery Ltd., Salford, Ontario.

Rozendaal imports the 35-in. long, 15-in. high moldboard bottoms from Rumpstad, a Dutch company whose plows are widely used throughout Holland. After trying the plow on his own farm, Rozendaal, who was raised in Holland, decided to build his own plow frame (for North American plowing conditions) and mount the moldboard bottoms on it.

"Most moldboard plows bury almost all of the crop residue underground which can result in excessive soil erosion," says Rozendaal. "Our soil restoration plow incorporates soil instead of burying it. It turns the soil over at a 135° angle instead of 180° and leaves about 20% of the residue on top. Remaining residue is evenly sandwiched between the slanted furrows where air and moisture can easily reach it for rapid decomposition. The resulting humus contains readily available plant food. Soil and residue are bound together resulting in im-

proved soil structure and less likelihood of soil erosion."

According to Rozendaal, the Rumpstad moldboard plow bottoms were designed to solve drainage problems on Holland's low-lying, heavy, flat clay land. "Residue left by the Rumpstad plow breaks up the surface so water can seep down through. However, the Rumpstad plow isn't suited to North American conditions because it doesn't have enough clearance for corn stalks and isn't equipped with automatic reset. I built the frame to accommodate corn stalks without plugging up. It also does a beautiful job in sod and stubble. The long, slim moldboards pull easier than conventional moldboards because they roll soil over instead of throwing it, reducing horsepower requirements by 10 to 20% depending on soil type."

The plow has 40 in. fore-aft clearance and 33 in. under-beam clearance and is equipped with automatic reset and spring-cushioned 20-in. ripple coulters. Moldboards can be set to vary in width from 11 to 22 in.

A 4-furrow model sells for \$11,260, 5-furrow for \$13,850, and 6-furrow for \$16,200.

For more information, contact: FARM SHOW Followup, Salford Farm Machinery Ltd., Salford, Ontario, Canada N0J 1W0 (ph 519 485-1293).

**KEEPS CONTROLS WORKING LIKE NEW**

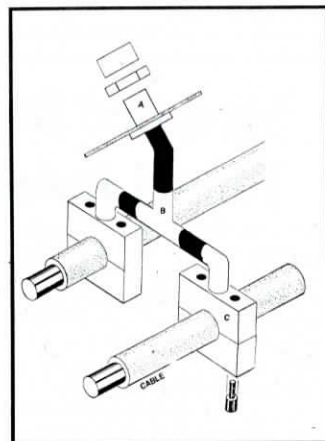
## Cable Control Oiler

"We kept getting complaints from farmers having trouble with cable controls on combines. We developed this new oiler to keep them working like new," says manufacturer Jerry Hansen of Simes, Inc., about the company's new cable control oiler kit.

The first step is to file away a small hole in the cable. Then a clamp with an oiler fitting goes over the hole. There are different bushings to fit different size cable up to 1/2 in. dia. A length of 3/8-in. dia. vinyl tubing runs from the clamp to a small oil reservoir that mounts on the dash or other convenient location. Two oiler clamps can be "T"ed into one reservoir.

"Works on cable with plastic or steel casing and can be used on any type of control - tractors, combines, trucks, mowers, boats, and so on. In many cases it can be used to rejuvenate cable that's been frozen up tight," says Hansen.

One kit includes two oiler clamps, the reservoir and a T. Sells for \$18.58.



Contact: FARM SHOW Followup, Simes, Inc., P.O. Box 38, Walters, Minn. 56092 (ph 800 658-2341).