

Trap design uses a tilting ramp. When skunk enters trap and gets past the halfway mark, ramp will tilt and pull the door release rod, and door will close.

Make Your Own Live Trap

There are a lot of ways to build a live trap. Here's a design dreamed up by Pete Peters, Osler, Sask.

The trap has a sliding door on one end that's held up by the tip of a 1/8-in. dia. steel rod that runs back to a plywood ramp. The ramp sits on the floor of the all-wood trap, balanced on a short piece of wood dowel. Bait is placed on the ramp so that when an animal enters, it pushes down on the ramp, pulling on the rod, which releases the trap door.

To dispose of trapped animals, Peters covers the trap with a tarp and runs engine exhaust under it for several minutes.

Contact: FARM SHOW Followup, Pete Peters, Box 166, Osler, Sask. S0K 3A0 Canada (ph 306 239-2045).



Sliding door on end of trap (right) is held up by the tip of a 1/8-in. dia. steel rod that runs back to ramp.



Trap has metal sliding door at one end and a hinged metal "trigger plate" on floor at other end. When animal steps on plate, a spring pulls wire back and door drops down.

Low-Cost Wooden "Live Traps"

"Comparable commercial live traps sell for \$35 to \$40 apiece. I build my own for only about \$8," says Dennis Gogerty, Zearing, Iowa.

Gogerty's traps measure 12 in. high, 12 in. wide, and consist of wire mesh covering a wood frame. There's a metal sliding door at one end of the trap and a hinged metal "trigger plate" on the floor at the other end. A wire runs from the trigger plate up to a spring on top of the trap and from there to the door. When the animal steps on the trigger plate, the spring pulls the wire back and the door drops down. A latch then slips over the door to keep it in place.

"I've built about a dozen of these traps and they work great," says Gogerty, who does

some trapping for neighbors. "I use them to catch everything from raccoons to skunks and opossums. I place the traps in the farmer's grove or in barns or next to creeks. They work great around building sites because if I happen to catch a cat or some other pet I can let it go. I use marshmallows or other sweet-smelling bait to lure varmints into the trap. I place metal strips over the wood inside the trap to keep raccoons from chewing the wood.

"The only drawback to my wooden traps is that they're heavier than commercial units."

Contact: FARM SHOW Followup, Dennis Gogerty, 68203 130th St., Zearing, Iowa 50278 (ph 641 487-7270).



Closed gate from inside the fence. The position of the operating arms and the dangling pull chains give the gate its "grasshopper" name.

"No Power" Automatic Gate

"You can open and shut this unusual gate just by pulling on a chain. The best part is that you don't have to get out of your vehicle," says Sam Moore, Salem, Oregon.

"One of my neighbors built the gate and gave me permission to tell FARM SHOW about it. The gate can be opened or closed from either side. You tug on a rope to open it. Once you have passed through, you pull on another rope to close it.

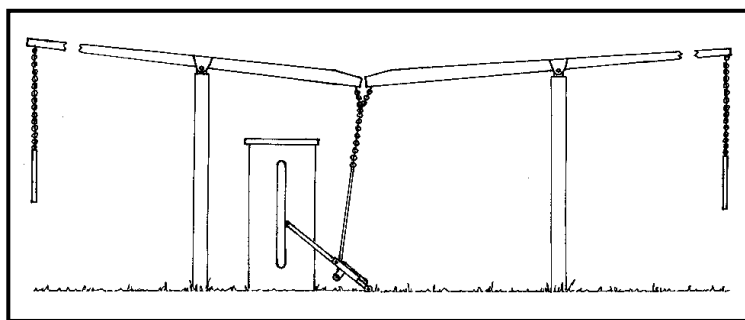
"The 16-ft. wide, 7-bar steel gate hangs on sturdy 30-in. square brick posts which are not necessary but give the gate a lot of stability.

"The poles supporting the operating arms overhead consist of 4-in. well casing set in concrete footings. The operating arms are cut from 18-ft. long 2 by 6's. The gate's toggle mechanism is constructed from 2 1/2 by 3/8-in. flat steel with 1/2-in. bolts used as

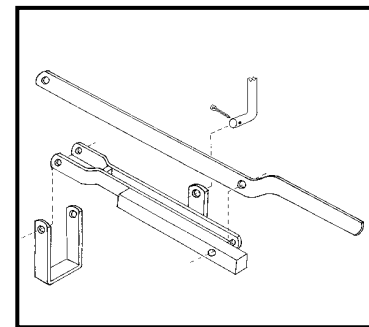
pivot pins. A clevis, to which the lower half of the toggle is attached, must be set in concrete.

"Eyebolts and 1/4-in. chain are used to connect the inner ends of the operating arms to the 3/8-in. steel rod that lifts the toggle mechanism. To work properly, the lifting rod and chain must be adjusted so that the weighted arm of the toggle mechanism is exactly vertical, or dead center, when the gate is half opened. The weight of the swinging gate will carry the arm past dead center, and then the weight on the arm will help carry the gate the rest of the way and lock it into position. Light chain, 6 to 7 ft. long, hangs from the outer end of each arm. The free ends are covered by a 2-ft. length of garden hose to serve as a handle.

"To operate the gate, you pull straight down



Pull chains on either side open gate. You don't have to get out of vehicle or off horse.



Gate from inside the fence. The toggle mechanism extends when gate is closed and folds back over itself when gate is opened. Drawing shows detail of mechanism.

on the hanging chain, which lifts the toggle to a vertical position. As the toggle goes up, the gate moves through one half of its arc. The momentum of the moving gate carries the toggle over dead center, at which time the pull chain is released and the weight on

the toggle causes the gate to complete its arc. The toggle mechanism is straight out in its extended position when the gate is closed and folded back over itself when the gate is opened. The weight locks the gate into either position until someone again pulls the chain."