

They Shingle Their Cow Paths

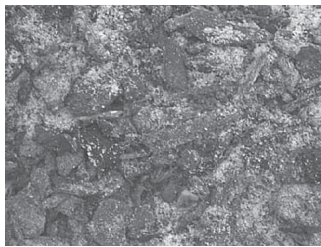
Intensive grazers have tried just about everything as a surface for cow paths or lanes coming in from the pasture. The challenge is finding a material the cows won't slip on and water will drain from. Scott Ertl has compared chipped tires and chipped shingles on his farm lanes. He likes shingles the best.

"Chipped tires require more maintenance because you have to regrade the lane once or twice a year," says Ertl, a Wood County, Wis., dairyman. "Shingle lanes hold up better because they stay put."

Ertl gets his chipped shingles from a local source, Resource Recovery, Stratford, Wis. While most of the shingles were asphalt, some were cedar shakes. Regardless, nails and flashing were removed in the chipping process. Chip size ranges from granules to 1-in. square.

Ertl placed 8-ft. wide spreads of tire chips on some lanes and shingle chips on others. He found that he needed a 3 to 4-in. layer in most areas with 6 to 8 in. of material needed in wet areas. Originally Ertl laid geo-fabric beneath the chipped tires, something he doesn't plan to do again. He found the cattle simply punched through it after working the tire chips off.

Ertl notes that the chipped shingles do break down over time and may require resurfacing, while the tires won't. "I figure it is a wash on cost," he says. "The shingles



Scott Ertl says shingle chips hold up better than chipped tires. Shingle chip sizes range from granules to 1-in. square. "The shingles are cheaper in the beginning and require less maintenance."

are cheaper in the beginning and require less maintenance."

Contact: FARM SHOW Followup, Scott Ertl, 7775 U.S. Highway 10, Marshfield, Wis. 54449 (ph 715 387-1687; ertlacresgm@tzn.net.com).

Power Hoe Fits On String Trimmers

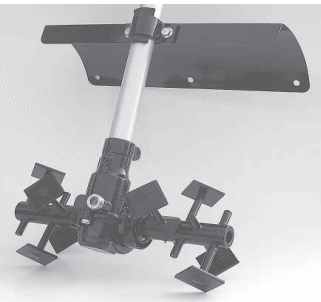
"It grabs weeds and gets rid of them but doesn't go as deep as traditional cultivators," says Kevin Lephart, president of Grassroots Technology, about the company's new power hoe that fits on 23 different string trimmers including Toro, Craftsman, Weedeater, Stihl, Husqvarna and Deere.

The Wingfoot PowerHoe provides 10 in. of tilling width in gardens and flowerbeds. You can reverse the diamond-shape knives after one side wears down. Comes with a special gear head that turns at 250 to 300 rpm's. "A guard keeps dirt from getting in your shoes," he says.

Sells for \$209.95.

The company also sells a power brush scrubbing attachment and mulching power rake.

Contact: FARM SHOW Followup, Grassroots Technology, 10227 North Hayden Court, Mequon, Wis. 53097 (ph 262 242-



Wingfoot PowerHoe provides 10 in. of tilling width in gardens and flowerbeds. You can reverse the diamond-shape knives after one side wears down.

1944; fax 262 242-7472; info@grassroots.technology.com; www.grassrootstechnology.com).



Schweppe took the wheels and axle from the back of a 750 Massey Harris combine and mounted them closer together. Then made a drawbar to pull it.

Ball Hitch On Wheels

"It's fun to look at retired machinery and find new life in it," says Glen Schweppe, who took parts off an old combine to make a 3-pt. dolly hitch so he could use his tractors to haul trailers around the farm.

The Syracuse, Neb., man didn't want to use trucks to pull large trailers in the field. He took the wheels and axle from the back of a 750 Massey Harris combine and mounted

them closer together. He made a drawbar hitch to pull it from scrap metal.

"It's very sturdy and better than using a 3-pt. ball hitch which puts a lot of weight on the tractor," he says.

Contact: FARM SHOW Followup, Glen Schweppe, 1355 S 32nd Rd., Syracuse, Neb. 68446 (ph 402 269-2602; ds85827@alltel.net).



The one piece platform/ladder has three steps that lead to a 15-in. wide, 3-ft. 7-in. long platform. It can be set between 16 in. to 3 ft. 4 in. high. It sets up in seconds and comes with a handrail.

Portable Mini Scaffold

Big crowds gathered around this nifty new foldup mini scaffold at the recent National Farm Machinery Show in Louisville, Ky.

The one-piece platform/ladder sets up in seconds. When you're done using it, it folds flat for easy carrying and storage.

The unit has three steps that lead up to a 15-in. wide, 3-ft. 7-in. long platform that can be set anywhere from 16 in. to 3 ft. 4 in. high. Once the platform is set up, a handrail can be attached to the back side with a pair of locking pins.

The wide stance of the platform/ladder - with two legs at either end - make it virtually "untippable," according to the company.

Models are available with 3, 4, or 5 steps,

with maximum heights of 3 ft. 4 in., 4 ft. 7 in., and 5 ft. 9 in., respectively. The 3-step model's SWL rating is 300 lbs.; the 4 and 5-step model's rating is 500 lbs.

Options include extension planks that fit between two or more platforms for additional working length. Also available are wheel kits that allow you to easily move the platform around.

Sells from \$268 to \$689 and comes with a 3-year warranty.

Contact: FARM SHOW Followup, Safe Tec, 102 Manor 201, Bardstown, Ky. 40004 (ph 502 331-9759; fax 502 331-9176; safetecc@aol.com; www.safeplatforms.com).

High-Tech Earplugs Let You Hear People Talk

Here's a new hearing device that blocks big machinery noise yet still lets you hear people clearly.

The Zwislocki Ear Muffler (ZEM) weighs only a couple of ounces. "It uses principles of sound physics to reduce sound evenly across all frequencies," says Robert DiNardo, co-founder of Sensgard, noting that the high-tech earplugs are named after a professor of neuroscience at Syracuse University.

They look like small, thin headphones that fit around the back of your head or clip onto a hardhat. They fold to fit in your pocket.

Sells for \$24.99 plus S&H.

Contact: FARM SHOW Followup, SensGard, P.O. Box 341, Fairport, N.Y.



14450 (ph 877 208-0883 or 585 218-4080; info@sensgard.com; www.sensgard.com).



Trap is a 7-in. dia. aluminum tube that's 36 in. long and weighs 8 1/2 lbs. It can live-trap skunks, raccoons, cats, possums, squirrels and rats.

Tube-Type Skunk Trap

You can catch skunks alive without getting sprayed with this "Skunker" trap from D & D Traps. It can also be used to live-trap raccoons, cats, possums, squirrels and rats.

It's a 7-in. dia. aluminum tube that's 36 in. long and weighs 8 1/2 lbs.

"We got the idea after observing that skunks were using old flood irrigation pipe as dens," says inventor Darren Batman.

A door at one end of the trap has a spring-action trip mechanism that shuts and locks when a critter kicks a trigger while going for the bait. The other door has a reflective circle

on it so you can check it from a distance with a flashlight.

Because the trap has solid sides, skunks can't spray or scratch you. They can be released live in another location or disposed of according to state regulations.

Sells for \$99 plus \$15 S&H in the continental U.S.

Contact: FARM SHOW Followup, D&D Traps, 17503 Eleven Rd., Ingalls, Kansas 67853 (ph 620 335-5252; retsup@twinvalley.net; www.theskunker.com).