

## “Slippery Plastic”

Pictured below are just a few of the items that Osseo Plastics & Supply manufactures using Hi-Density polyethylene.

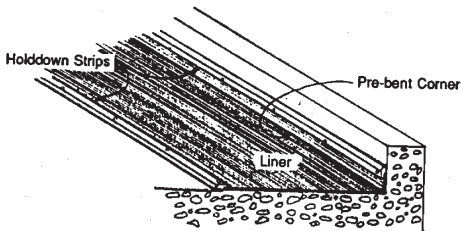
“We also distribute Hi-Density polyethylene in various size sheets and rolls. Sheet

### PVC Strip Doors

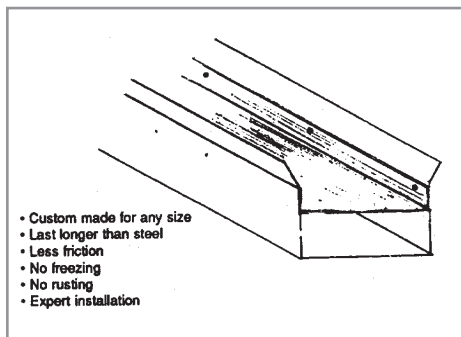


sizes range in width from 24 to 72 in., and up to 10 ft. long. Rolls (100 ft. long) are available in 24, 30, 36, 48, 60, 72, 96, and 120-in. widths.

“We also offer extra-tough UHMW polyethylene, in various widths and lengths, for



lining extra high-wear areas. Some of the items we line are mangers, manure spreaders, barn cleaner chutes, feed conveyers, silo



- Custom made for any size
- Last longer than steel
- Less friction
- No freezing
- No rusting
- Expert installation

chutes, feeder wagons, TMR mixers, chopper hoods, silo unloaders, Haybine shoes, feed carts, truck boxes and feed bunks.”

Contact: FARM SHOW Followup, Osseo Plastic & Supply, Inc., 51101 Omaha St., P.O. Box 127, Osseo, Wis. 54758 (ph 800 657-4698 or 715 597-2498; fax 715 597-3250; E-mail: ops@triwest.net; Website: www.osseoplastics.com).

**Reader Inquiry No. 151**

## “Wild Chance Post Anchor” Keeps Fence Posts From Pulling Up Out of Ravines

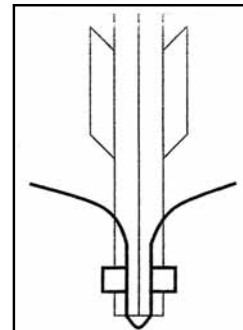
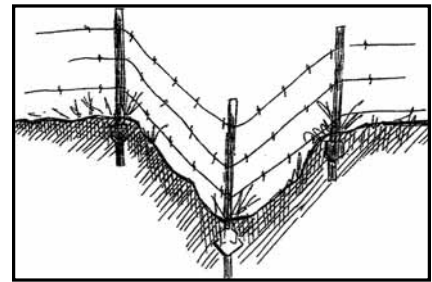
Keeping a fence in place at the bottom of a ravine isn’t easy, because the upward pressure from the fence on either side of the ravine tends to pull the post up. The “Wild Chance Post Anchor”, which attaches to any standard steel post, holds the post down, solving the problem, says inventor Patrick Fordyce of Hilger, Mont.

The anchor is easy to install, using only a pair of pliers. After the post is driven into the ground, the natural upward pull of the fence acts to open the anchor under the ground. Instructions on how to attach the anchor are included with each box of anchors.

The Fordyce’s say they will have a supply on hand for the spring fencing season if anyone wants to give them a try. They sell for about \$3 apiece in boxes of 10 and we have supply on hand.

Contact: Patrick Fordyce, 13411 Salt Creek Road, Hilger, Mt. 59451 (ph 406 462-5611; www.wildchanceranch.com).

**Reader Inquiry No. 152**



**Wild Chance Post Anchor attaches to any steel post with a pair of pliers. As post is pulled upward, wings bow out to hold it in place.**



## Tilt Gauge Guides Loader Bucket

Clifford Tonsfeldt has no problem adjusting the tilt on his loader bucket, thanks to his homemade tilt gauge. Attached to a loader arm, the gauge tells him at a glance how much the bucket is tipped.

“I’ve used the indicator for about 25 years,” says Tonsfeldt. “I’ve replaced the bucket, but the indicator still works fine. It lets me know the bucket angle if I’m digging or picking up material.”

The gauge is a piece of scrap metal with an upside down T-shaped needle that pivots at the bottom center of the gauge face. The gauge is mounted to one arm of the loader. A spring attaches to the lower left arm of the needle.

A cable runs from the lower right arm of the needle down and through a pulley to the bucket. It’s anchored to a point just above the loader arm mounting pin.

When the bucket tips downward, the needle tip is pulled to the left. When the bucket tips up, loosening the cable, the spring pulls the needle to the right.



**Attached to loader arm, homemade tilt gauge lets Clifford Tonsfeldt see the bucket angle at a glance when digging or picking up material.**

“I think the gauge face was from a brake drum off a really old car,” says Tonsfeldt. “I just painted marks on the gauge to indicate tilt. They don’t relate to degrees of tilt, but I know what they mean.”

Contact: FARM SHOW Followup, Clifford Tonsfeldt, 21 W. 4th St., no. 466, Remsen, Iowa 51050 (ph 712 786-2206).