

Basement Problems Solved

For over 40 years, Gary and Arlene Resch have been solving wet basement and buckling wall problems. They have an anchor system that pulls the walls straight and a brace system that pushes the wall straight over a 2 to 5 year period of time without excavating. One customer said, "It's just like braces on your teeth." Both systems are 'engineer certified', meaning, an engineer has tested and authorized that the system performs as claimed.

Straightening Walls

The Gorilla® Wall Brace is very easy to install and many home owners have installed the braces themselves with good success. The Gorilla® Brace pushes off from 3 floor joists, thus dramatically reducing the pushing, twisting and stressing when pushing from only one floor joist. Your whole house depends on a sound foundation. Don't risk losing a wall from a failing foundation wall.



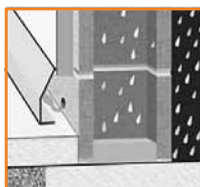
Gorilla® Wall Braces

Drying Up Basements

Over the last 40 years, Resch has installed a baseboard waterproofing system that collects water from where the floor and wall meet and channels it away. No need to dig up your yard or break up the basement floor. The Dry-Up Waterproofing System is simple and easy to install with kits for do-it-yourselfers. The Dry-Up System has been proven on everything from small home basements to large commercial jobs. They still have some areas open for installers.



Unfinished



Finished

www.DryUpBasement.com

To order or for more information
call 800-831-2559

Reader Inquiry No. 25



New: TreePuller Timberline Tree & Post Puller



Model HTC-14 can cut a 14-in. tree at ground level in 5.5 seconds. All major pivot points are machined and greaseable for long life.

Timberline™ Tree Shears Rotate

The innovative Timberline™ Tree Shears from Sidney Manufacturing offer many advantages when it comes to the job of selectively removing unwanted trees; including the ability to rotate after the cut. The Timberline™ Tree Shear hydraulically rotates up to 110 degrees, with a push of a button from the comfort of your cab. This feature allows the shear to serve as a grapple to lift, wrangle and carry the fallen tree. You can also use the Timberline™ Tree Shear to easily and efficiently cut the tree into load size or firewood size pieces; reach high to trim large branches; or reach over fences and other obstacles.

The HTC-14 cuts a 14" tree at ground level in 5.5 seconds; the smaller TBL-1000 has a 10" capacity. The single blade design of the Timberline™ Tree Shear eliminates complicated adjustments and sharpening and the unique serrated tooth configuration holds the tree during the cutting cycle allowing for predictable cutting. Made from high tensile steel plate, all major pivot points are machined and greaseable for long life. This world class attachment is the professional's choice for land and tree management.

Sidney also offers a wireless control option allowing the operator to wirelessly activate the electric diverter on the Timberline™ Tree Shear to alternate between shearing and hydraulic rotation; increasing the ease of operation and reducing installation time.

The newest innovation from Sidney is their Timberline™ Tree & Post Puller, designed to grip up to a 10" diameter tree or post; it can rip out an 8" diameter tree, root system and all. Reinforced throughout to withstand rigorous use, universal skid steer coupler is standard.

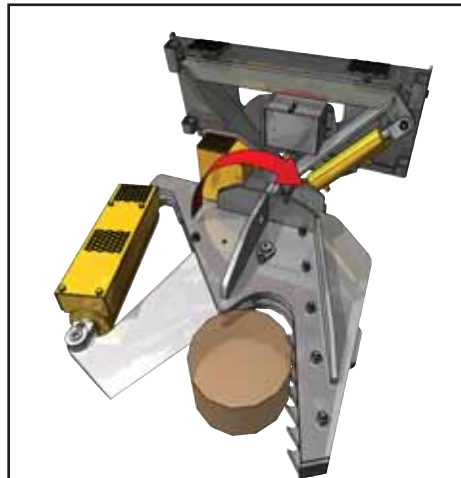
Timberline™ Tree Shears can be effortlessly mounted on a variety of available Skid Steer Loaders, Compact Excavators, Telehandlers and Ag Tractor Loader Arms.

To learn more about Sidney Manufacturing's Timberline™ Tree Shears, go to www.sidneyattachments.com and view a 5 minute video.

Contact: Sidney Manufacturing, Inc., P.O. Box 430, Sidney, Iowa 51652 (ph 866 567-9618; jdoyle@sidneyattachments.com; www.sidneyattachments.com).



Also available from Sidney Manufacturing is the Gorilla Grapple, a powerful grapple designed to fit most skid steers. Manufactured from high tensile 1" thick steel, the grapple can handle debris, large trees, big hay bales, salvage yard scrap, and even crush concrete slabs. "Designed by grapple customers to handle anything a skid steer can handle."



With the push of a button, Timberline™ Tree Shears rotate up to 110 degrees from horizontal.