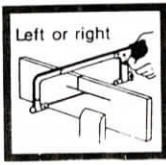


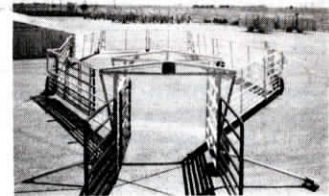
Contact points on the outside of the seal can be tested with an ohm meter. An open circuit tells you the seal is worn and should be replaced before damage occurs. It prevents damage by bearings that wear down all the way and eliminates time wasted replacing seals and repacking bearings that aren't worn. You can check seals manually with an ohm meter or monitor all seals on a machine with a microprocessor that continually checks them electronically and alerts the operator when there's a problem.

We've built working prototypes and would be happy to hear from any manufacturers interested in the idea. (Bob Heinzen, Mid Dakota Corp., Garrison Industrial Park, Box 728, Garrison, N.Dak. 58540 ph 701 337-5619)



FARM SHOW readers may be interested in our round hacksaw blade that will cut in any direction. It fits any standard hacksaw frame and consists of a thin steel cable with a spiral cutting edge. You can use it for everything you would use a hacksaw for plus it will cut to the right or left or even cut a circle. (Dick Kluge, Rt. 2, Box 243B, Groton, S. Dak. 57445 ph 605 397-8589)

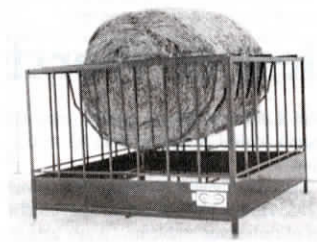
One man can easily set up our wheeled corral in just 7 min. It pulls behind a pickup, measuring 8 ft. wide and 36 ft. long in transport. Gross weight is about 5,000 lbs. It unfolds in the field by simply releasing the panels and then driving the pickup forward



with the transport wheels turned inward. The corral is made out of 2-in. steel pipe and has a brace for each panel. Height of panels is 5 ft., 8 in. When unfolded it measures 66 ft. in length along each side and accommodates up to 140 head of 600 lb. calves or 80 head of 800 lb. cattle. Three different models are available with various configurations of loading areas, gates, alleyways, headgates, and loading ramps. Extended models are also available with extra panels that increase corral size by 40 percent. Our basic model sells for \$6,360. (Leland Green, Wilson Mfg., Ind., P.O. Box 285, Cherokee, Okla. 73728 ph 405 596-3381)

Thanks for sending me a sample copy of FARM SHOW. We put it to good use right away since we had just broken our garden hoe and needed a new one. I saw the article about a new heavy-duty hoe made out of a section of disc blade and asked my husband to make one for me. Looks like it will work great. (Deb Reeves, Rt. 2, Box 54D, Central City, Neb. 68826)

This HaySaver bale feeder has been popular with Canadian producers for years and was originally patented by H. Kuntz Mfg. Inc. of Ontario, Canada. We now have a licensing agreement with H. Kuntz Mfg. to manufacture the HaySaver in the U.S. We think it's the best bale feeder around for saving hay because it holds the bale off the ground which allows the entire bale to be consumed. A round bale is placed in the sus-



ended basket with feeder panels around the outside. Because cattle eat at an accessible height, they don't back out while feeding. A wood floor can be installed by the purchaser under the bale so dropped hay will fall on a dry surface, giving cattle a second chance to clean it up.

Sells for \$637. We think it will pay for itself in saved hay from as few as 50 round bales. (Gerry's Welding & Fab., Inc., P.O. Box 37, New Vienna, Iowa 52065-0037 ph 800 624-7554 or 319 921-3445)

We at Koyker Manufacturing Co. read with great interest the letter from Mr. Dale Paulson of Gregory, S.Dak., in the July issue of FARM SHOW. To the best of our knowledge, we had not heard from Mr. Paulson for over a year and had never heard from his dealer. We have written to Mr. Paulson and hope we can resolve any problems he may have had with his Koyker loader.

Koyker Manufacturing Co., is a very customer-oriented company, and we go to great lengths to satisfy their requirements. We would like your readers to know that! (Keith M. Potz, Plant Manager, Koyker Manufacturing Co., Lennox, S. Dak.)

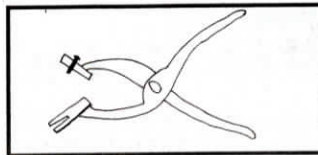


This simple gate latch on my goat pen keeps the gate shut and also takes the weight off the gate post. It consists of a 3-ft. piece of 2 by 6 lying across a short piece of 2 by 4 standing on its side. I drilled a hole in the 2 by 4 block and staked it to the ground to hold it in place. The gate slides back and forth on the 2 by 6. When shut, the long end of the 2 by 6 is held up in the air by the weight of the gate, holding the gate closed. To open the gate, you just push on it and the board will go over center on the block, allowing the gate to slide quickly open. (Sidney Noordmans, Rt. 1, Box 116, Hancock, Minn. 56244 ph 612 392-5483)



The accompanying picture shows how we used a discarded truck tie rod end to provide limitless movement of the tongue on our trailing sickle mower. The socket end is welded to the tongue of the mower. A lip is welded to the flange of tie rod bolt so we can tighten the ball joint onto the drawbar with a nut. Works well, especially on rough terrain. (G.L. Woods, 118 Chapman Rd., Peller, S.C. 29669)

I came up with these ear tag pliers several years ago to save money and to reduce stress to livestock. They punch out old cow tags without damaging them so they can be reused. I welded a couple pieces of metal to the jaws of an old pair of ordinary pliers. On



one side I welded a U-shaped piece of metal with a slot cut in it and on the other side I attached a mower rivet from a sickle section. So when the pliers are squeezed together over the sharp end of the tag, the button pops out the back, enabling you to reuse both the tag and button.

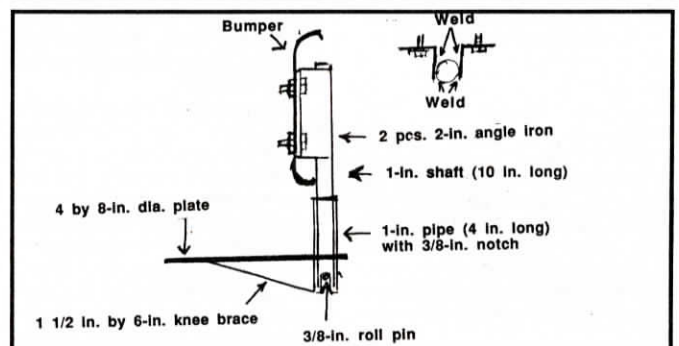
I wasn't able to find anything that compares to these ear tag removers on the market. They save money by eliminating the need to buy new tags and by eliminating a long trip into town for supplies. I also find that we've reduced stress on animals (and on me) because retagging can be accomplished without further punctures to the ears. I've used this idea since 1985. (Jim Hansen, Lingenfelter Hansen Ranch & Bed & Breakfast, 471 Mullian Trail, Gold Creek, Mont. 59733 ph 406 288-3436)



I've followed with interest your search over the last couple years for the oldest operating combine. I know my 1948 IHC isn't the oldest one still working but it's still a beauty. I used it until a few years ago and could still use it if I needed it since it's in great shape. It has been in a shed all of its years of use and still is today. If anyone would like to have it, make me an offer. (William K. Ehm, 735 6th St., Phillipsburg, Kan. 67661)

I've got some old tractor tires I want to turn inside out to make feedbunks for cattle. What's the name of the man who travels around the country turning tires? (Doug Payne, Clairmont, Minn.)

We know of at least two professional tire turners who've built specialized machines for turning any kind or size of tire inside out. Contact: FARM SHOW Followup, Merlyn Hill, Hill's Tire Service, Rt. 1, Box 85, St. Francis, Kan. 67756 (ph 913 332-2005) or FARM SHOW Followup, Allan Schoepner, Schoepner's Tire Turning, Box 124, Oacoma, S.Dak. 57365 (ph 605 734-5641).



This rotating step, mounted on my pickup's back bumper, sure has been handy for me. It rotates out to the side of the pickup when the tailgate is down and you can't use the bumper to step up on to get into the pickup box. It bolts to the outside curve of the bumper at the back corner. A 10-in. piece of 1-in. dia. steel shaft welds between two pieces of angle iron that bolt to the back of the bumper (4 bolts). The shaft extends

We'd like more information on the "steamer" for hay balers that was featured in a previous issue. It attaches to the front of balers to "steam" hay just before pickup to reduce leaf loss. (James Scott, HCR 1, Box 149, Springdale, Wash. 99173)

The LP or diesel-powered hay steamer was featured in Vol. 8, No. 1. Developed by Australian Jack Maher, it's designed to let you bale in the heat of the day with "virtually no leaf loss", according to Maher. A pressure boiler towed behind the baler generates steam which is injected into the windrow via a 12 ft. long steaming canopy that attaches just ahead of the baler's windrow pickup. Contact: FARM SHOW Followup, Jack Maher, Agtech Promotions, P.O. Box 1198, North Sydney, NSW Australia 2060.

In a previous issue you had an article about converting Farmall model M's and H's from narrow to wide front ends. Somehow I misplaced my copy and would like more information. (Eldon J. Deadrick, Platte, S.Dak.)

Bill Short, Hamilton, Mo., converted his narrow-front 1942 Farmall "H" to a wide front end using the rear steering axle from a Ford combine (Vol. 13, No. 2). Short bought the combine axle from a Ford dealer who had removed the axle to equip the combine with a new power assist rear axle. Contact: FARM SHOW Followup, Bill Short, Rt. 1, Box 230, Hamilton, Mo. 64644 (ph 816 583-2361)

I have been raising golden flaxseed for the past 8 years. Most of the product produced in North America goes to Europe for the edible market. This promising "grain" is simply a color variation of common brown flaxseed but has far better eye appeal when used in bakery products. Flaxseed is the world's richest source of linolenic acid which is an essential poly-unsaturated fatty acid that has been found to lower blood cholesterol. It also contains two types of fiber - mucilage and an insoluble fiber called lignan. Mucilage also has cholesterol-lowering properties and lignan has been shown to help reduce colon and breast cancer. We think golden flaxseed has a tremendous potential as a food crop and I've put together a cookbook with more than 70 recipes and lots of information about golden flax and how it can be used. I've been selling it, along with a one-pound package of golden flaxseed, for \$14.95 plus \$2 postage. (Tom Jackson, Golden Seeds, Inc., P.O. Box 971, Fargo, N.Dak. 58107 ph 306 695-2151; fax 306 332-5532)

below the bumper. A piece of 4 by 8-in. diamond plate is attached to a 4-in. piece of 1 in. pipe which slips over the steel shaft. The bottom of the pipe is notched so it'll fit over a roll pin at the bottom of the steel shaft. In transport, the step rides under the truck. To use, you lift up on it (raising it off the roll pin) and rotate it 180° so it sticks out from the side of the pickup. (Gus Laroy, Rt. 1, Riga, Mich. 49276)