

Amazing One-Pass Machine Puts Up 7-Strand Fence Fast

The automated One Pass Fencemaker from Greenedge Precision Fencing sets posts, drills holes for wires, and pulls wires through to the next post.

"I was managing a large ranch and we needed a lot of labor to put up fence," explains Lloyd Quantz, Greenedge Precision Fencing. "Our electric fences were good, but staples were either shorting out the wire or kinking it so it broke. Staples popping out was also a problem, and insulators were the weakest part of the system."

With more powerful fencers on the market, Quantz started putting wires through the posts, for both electric and non-electric fences. After doing it manually for a while, he began working on an automated system. The Fencemaker was the result - a tracked vehicle with a post carrier in the front and the automated fencing system attached to its side.

"It had to be a big enough tracked carrier to allow the fencing unit to move 18 in. laterally and 30 degrees in and out. ASV had a heavy-duty undercarriage that worked," says Quantz.

Unlike other systems, the Fencemaker neither drills holes for posts, nor does it drive posts into the ground. A unique vibration system does the job, setting 4 to 6-in. posts in less than 5 sec. or up to 10 sec. in rocky ground.

The Fencemaker has a cap that sets on top of the post to be set, putting 5,000 lbs. pressure on it. While this doesn't drive it in, it does shorten the wood fibers. This allows the vibrations to be transmitted to the tip of the post, and it moves into the ground.

"Drill bits were also a challenge," says Quantz. "It took several years of work,



One Pass Fencemaker is a tracked vehicle with a post carrier in front and an automated fencing system attached to its side.

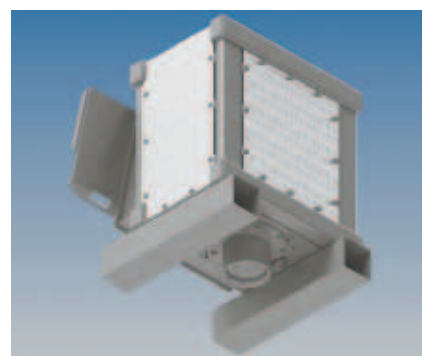
but we now can drill 7 holes through a post in 3 to 5 sec. and up to 3,000 posts before replacements.

The Fencemaker then guides the wires through and grabs them on the other side. As the carrier moves ahead to the next post, wires are drawn through the holes from a multi spool carrier at the beginning of the fence line. Quantz says the time to set a post, drill holes for wires and pull them through averages 2 min.

There's a video of the One Pass Fencemaker at www.farmshow.com.

Contact: FARM SHOW Followup, Greenedge Precision Fencing, Inc., Box 4281, Olds, Alberta, Canada T4H 1P8 (ph 403 556-0994; www.greenedges.com@gmail.com).

Reader Inquiry No. 159



Drawing shows soon-to-be-introduced Q-Vibe post driver that weighs in at 1,200 lbs. and is built to industrial specs.

New Q-Vibe Post Driver Introduced

Greenedge has introduced the new Q-Vibe post driver that's built strictly for driving posts.

Built to industrial specs for serious post installers, it's designed to operate independent of the drills and wire threaders on the One-Pass Fencemaker.

It will drive an average-sized 7-ft. wood post in 5 to 10 sec. There are no exposed parts for maximize operator safety and no rubber motor mounts to break down under pressure. Quantz says it's easier on posts than an impact drop-weight driver and has been used in Canadian frozen and compact soils.

Quick-taches to a skidsteer or can be used on a tractor or excavator when alternative mounts are available.

"We were approached by hundreds of fencers and land owners for this version of our Fencemaker unit. It will be released with a 5-year, full warranty for first-year buyers.

Short Season Open-Pollinated Corn

"Most open-pollinated corn is grown in southern areas with longer growing seasons. Beneficial varieties for growers with a short season have not been widely available. We're changing that with faster finishing, OP corn varieties that will let growers that have a short season to profit from open-pollinated corn," says Vaughn Emo, Avoca, N.Y. of Green Haven Open-Pollinated Seed Group.

Green Haven Open-Pollinated Seed Group is a nationwide organization of seedsmen based in western N.Y. They are focusing on improving OP varieties for silage, grain and wildlife plots. Many varieties are

available certified organic.

Green Haven offers 75-day Kucyk early, 85-day Wapsie valley, 86-day Dublin, 87-day MN 13, 100-day Reid Yellow dent, 100 day Silver king, 114-day Green Field 114, and 120-day Lancaster Sure Crop. Open-pollinated corn is said to be higher in protein and sugar than regular hybrids, giving livestock farmers higher feed value. Of course, the biggest advantage is that farmers can select their own seed from this year's crop to plant next year. Open pollinated sweet corn, pop corn and pumpkin seed are also available.



For a free brochure contact FARM SHOW Followup, Green Haven Open-Pollinated Seed Group, 8225 Wessels Rd., Avoca, N.Y. 14809 (ph 607 566-9253; [email:opcorn@gmail.com](mailto:opcorn@gmail.com); www.openpollinated.com).

Reader Inquiry No. 158